

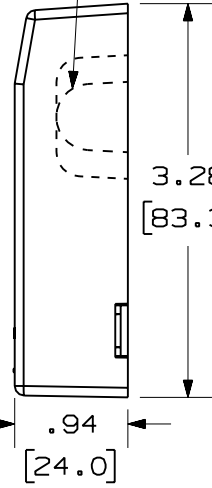
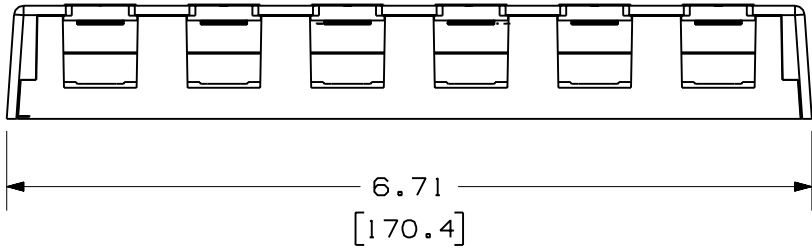
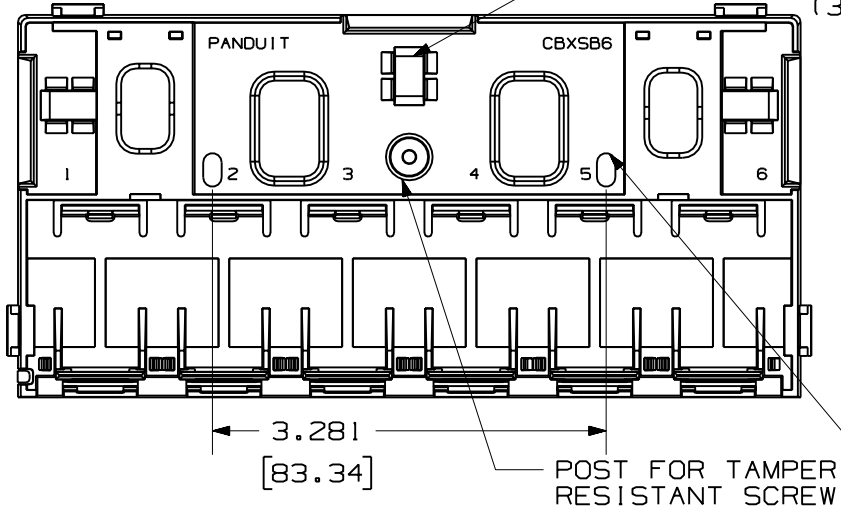
THIS COPY IS PROVIDED ON A RESTRICTED BASIS AND IS NOT TO BE USED IN ANY WAY DETRIMENTAL TO THE INTERESTS OF PANDUIT CORP.

PANDUIT P/N	WEIGHT
CBXS6**-AY	1.57 LB/10 PCS (712.8 g/10 PCS)

COVER REMOVED FOR CLARITY

PAN-TY LOOPS FOR CABLE HOLD-DOWNS (3 PLACES)

BREAKOUT AREA (3 PLACES)



NOTES:

- SEE CURRENT CATALOG FOR ADDITIONAL PART NUMBER SUFFIXES TO INDICATE COLOR AND OR PACKAGE QUANTITY.
- SEE CATALOG FOR A COMPLETE LIST OF PARTS APPLICABLE FOR USE WITH THIS PART.
- DIMENSIONS IN ( ) ARE IN METRIC.
- BOX INCLUDES:
  - 1- BOX BASE
  - 1- BOX COVER
  - 2- PLT1.51-M PAN-TY
  - 1- LABEL/ LABEL COVER
  - 2- MOUNTING SCREW
  - 1- MOUNTING SCREW (USED TO SECURE COVER TO BASE)
  - 2- STRIP OF 1.00" X .75" FOAM TAPE FOR MOUNTING
  - 1- STRIP OF 3.00" X .75" FOAM TAPE FOR MOUNTING
- BASE HAS TWO POCKETS FOR OPTIONAL MAGNET (CSBM-X)
- BREAKOUTS DESIGNED TO ACCEPT LD3/LDP3 AND LD5/LDP5 RACEWAY.
- BASE MATERIAL THICKNESS= .090 [ 2.29 ]

NO WARRANTY, EXPRESSED OR IMPLIED, IS MADE BY PANDUIT WITH RESPECT TO ADHESIVE BOND PERFORMANCE. AMONG OTHER THINGS, THE CONDITIONS UNDER WHICH THESE MOUNTS MAY BE APPLIED AND/OR THE SURFACE TO WHICH THEY MAY BE APPLIED ARE BEYOND PANDUIT'S CONTROL.

DRAWING FILENAME	M02479EV_DC128_00A.PRT	SIZE	A
------------------	------------------------	------	---

MINI-COM 6 POSITION SHUTTERED SURFACE MOUNT BOX CUSTOMER DRAWING

<p>PANDUIT<sup>TM</sup> CORP. TINLEY PARK, ILL 60477</p>	I.I. NUMBER	N/A
	PRODUCT SPEC	N/A
<p>THIRD ANGLE PROJECTION</p>	WORK INSTRUCTION	N/A
	SCALE	NONE
DRAWN BY JsP	MATERIAL:	PART NO. CBXS6**-AY
DATE 12-27-06	BOX: ABS DOORS: PC	DRAWING NO. 02479-128
CHK'D		

REV	DATE	BY	CHK	DESCRIPTION	ECN	R	CUST	SUP	OTH
R	12-27-06	JsP		RELEASED TO PRODUCTION	02479-128				